

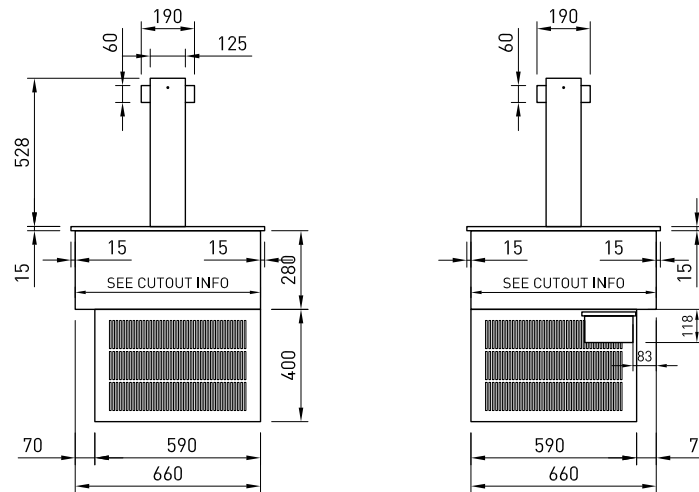
### CABINET DIMENSIONS & SPECIFICATIONS

MODEL	CABINET				BENCH TOP CUT OUT HOLE SIZE	PANS	TEMP RANGE	REFRIGERANT	FREQUENCY	POWER		CONNECTION ELECTRICAL POWER CORD 3000MM		VOLTAGE	PACKED FOR SHIPPING			
	LENGTH [MM]	DEPTH [MM]	HEIGHT [MM]	WEIGHT [KG]						65MM	DEG C	KW 230V	AMPS		NZ 10 AMP	UK 13 AMP	LENGTH [MM]	DEPTH [MM]
LSRF2	805	690	555	105	785x670	2 x 1/1 65mm Gastro Pan	3-8	R290	50 HZ	0.92	4.8	3 PIN PLUG	3 PIN PLUG	220-240V	910	770	1060	108
LSRF3	1145	690	555	128	1125x670	3 x 1/1 65mm Gastro Pans	3-8	R290	50 HZ	0.92	4.5	3 PIN PLUG	3 PIN PLUG	220-240V	1250	770	1060	134
LSRF4	1485	690	555	152	1465x670	4 x 1/1 65mm Gastro Pans	3-8	R290	50 HZ	0.92	4.5	3 PIN PLUG	3 PIN PLUG	220-240V	1590	770	1060	160
LSRF5	1825	690	555	179	1805x670	5 x 1/1 65mm Gastro Pans	3-8	R290	50 HZ	0.92	4.8	3 PIN PLUG	3 PIN PLUG	220-240V	1930	770	1060	180
LSRF6	2165	690	555	201	2145x670	6 x 1/1 65mm Gastro Pans	3-8	R290	50 HZ	1.15	5.5	3 PIN PLUG	3 PIN PLUG	220-240V	2270	770	1060	204

### PRODUCT FEATURES

- o Deck forced refrigeration
- o Canopy LED light
- o Integral condenser
- o Self evaporating
- o 65mm deep full size pan supplied
- o Foam insulated double skin base

### LSRF SIDE ELEVATIONS



LEFT

RIGHT

### GASTRO PANS

Units supplied with 1/1 pans at 65mm deep, max pan depth is 100mm

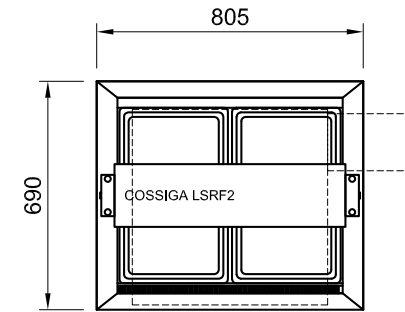
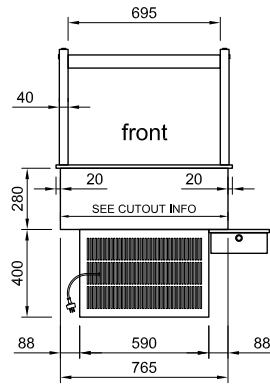
### ELECTRICAL POWER

Electrical power cord 2200mm  
3 pin 10 amp 1 phase socket required.  
Maximum ambient operation temperature climate class N max 32° C.

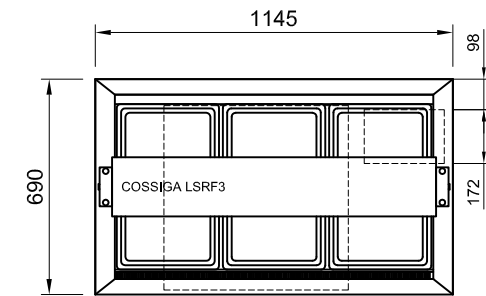
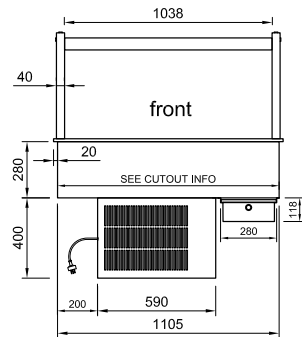
### ASSEMBLY REQUIRED

Prior to installation see, installation guidelines, ventilation requirements and drainage options documents

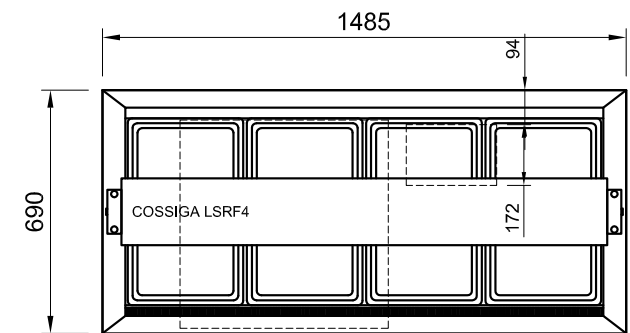
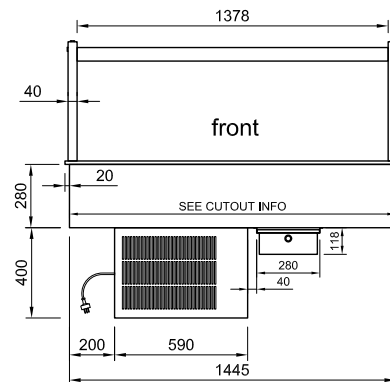
### LSRF2



### LSRF3

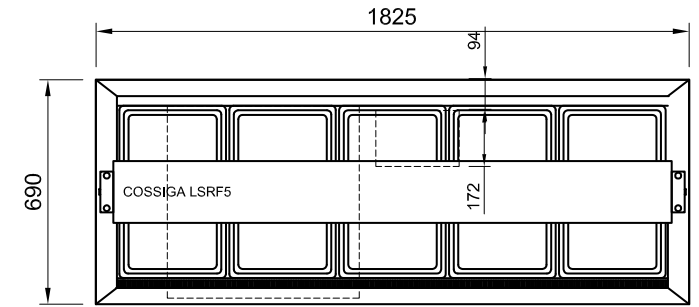
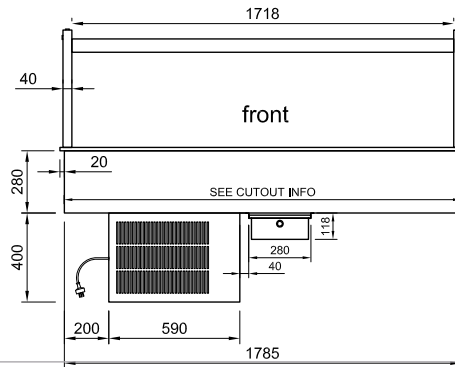


### LSRF4

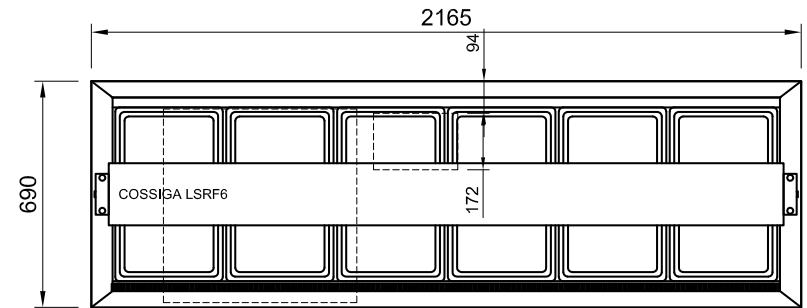
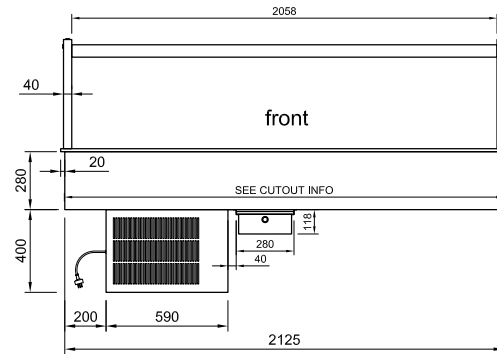


ASSEMBLY REQUIRED

### LSRF5



### LSRF6



ASSEMBLY REQUIRED

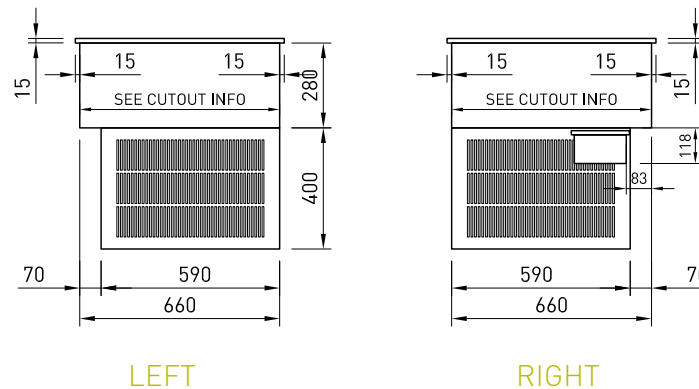
## CABINET DIMENSIONS & SPECIFICATIONS

MODEL	CABINET				BENCH TOP CUT OUT HOLE SIZE	PANS	TEMP RANGE	REFRIGERANT	FREQUENCY	POWER		CONNECTION ELECTRICAL POWER CORD 3000MM		VOLTAGE	PACKED FOR SHIPPING			
	LENGTH [MM]	DEPTH [MM]	HEIGHT [MM]	WEIGHT [KG]						65MM	DEG C	KW 230V	AMPS		NZ 10 AMP	UK 13 AMP	LENGTH [MM]	DEPTH [MM]
LSRF2-NG	805	690	555	105	785x670	2 x 1/1 65mm Gastro Pan	3-8	R290	50 HZ	0.92	4.8	3 PIN PLUG	3 PIN PLUG	220-240V	910	770	1060	108
LSRF3-NG	1145	690	555	128	1125x670	3 x 1/1 65mm Gastro Pans	3-8	R290	50 HZ	0.92	4.5	3 PIN PLUG	3 PIN PLUG	220-240V	1250	770	1060	134
LSRF4-NG	1485	690	555	152	1465x670	4 x 1/1 65mm Gastro Pans	3-8	R290	50 HZ	0.92	4.5	3 PIN PLUG	3 PIN PLUG	220-240V	1590	770	1060	160
LSRF5-NG	1825	690	555	179	1805x670	5 x 1/1 65mm Gastro Pans	3-8	R290	50 HZ	0.92	4.8	3 PIN PLUG	3 PIN PLUG	220-240V	1930	770	1060	180
LSRF6-NG	2165	690	555	201	2145x670	6 x 1/1 65mm Gastro Pans	3-8	R290	50 HZ	1.15	5.5	3 PIN PLUG	3 PIN PLUG	220-240V	2270	770	1060	204

### PRODUCT FEATURES

- Deck forced refrigeration
- Canopy LED light
- Integral condenser
- Self evaporating
- 65mm deep full size pan supplied
- Foam insulated double skin base

### LSRF-NG SIDE ELEVATIONS



### GASTRO PANS

Units supplied with 1/1 pans at 65mm deep, max pan depth is 100mm

### ELECTRICAL POWER

Electrical power cord 2200mm  
3 pin 10 amp 1 phase socket required.  
Maximum ambient operation temperature climate class N max 32° C.

### ASSEMBLY REQUIRED

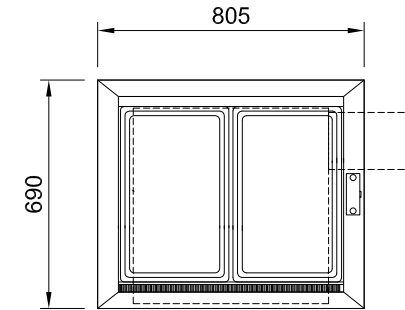
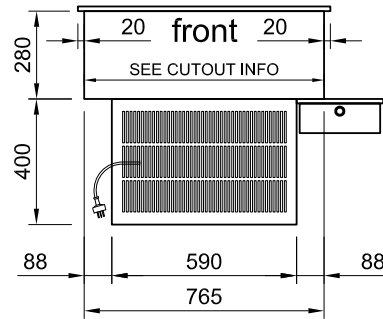
Prior to installation see, installation guidelines, ventilation requirements and drainage options documents

# LSRF-NG

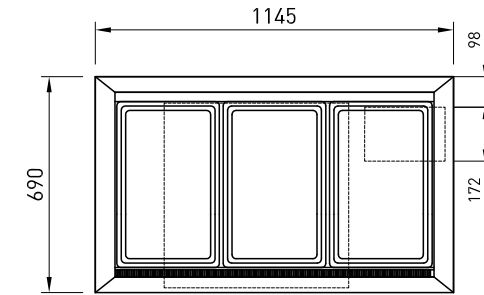
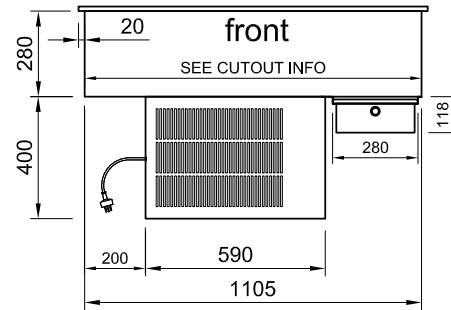
LINEAR SERIES - CHILLED WELL - No Gantry

COSSIGA

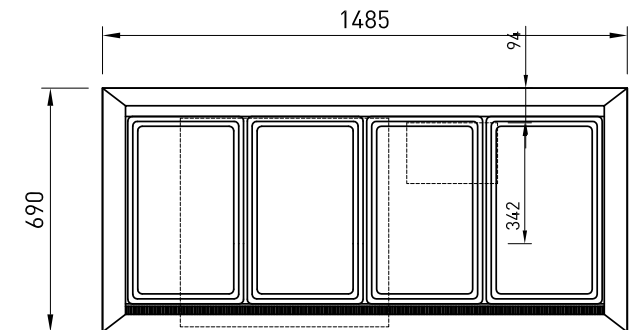
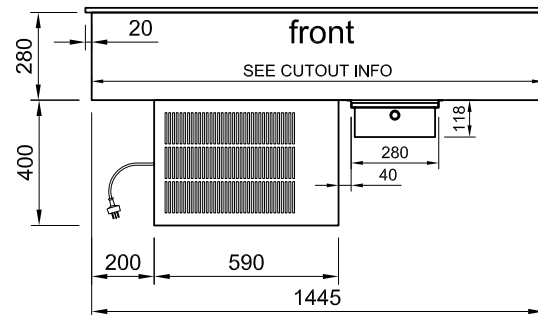
LSRF2-NG



LSRF3-NG



LSRF4-NG



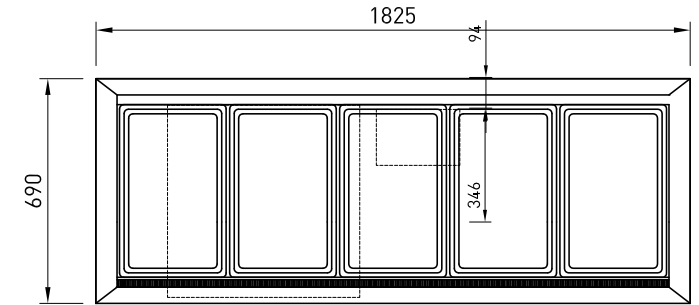
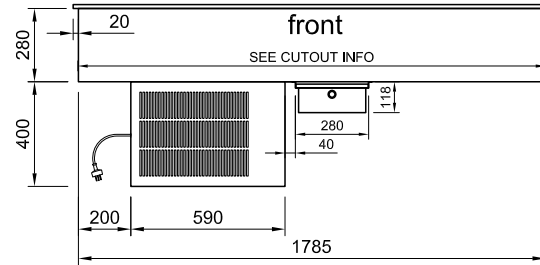
ASSEMBLY REQUIRED

# LSRF-NG

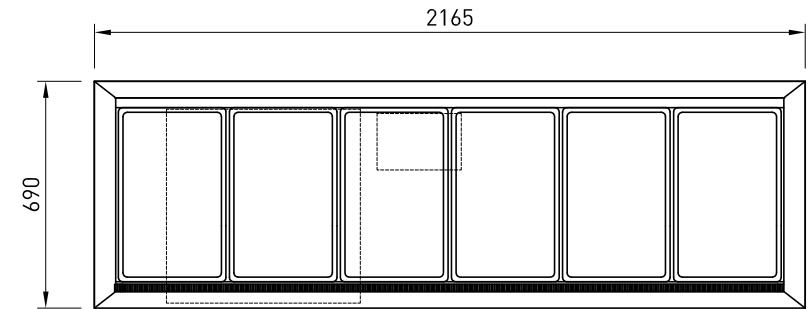
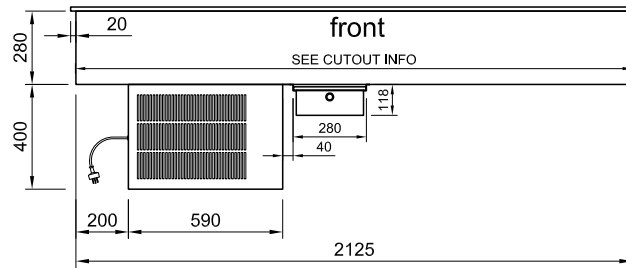
LINEAR SERIES - CHILLED WELL - No Gantry

COSSIGA

LSRF5-NG



LSRF6-NG



ASSEMBLY REQUIRED

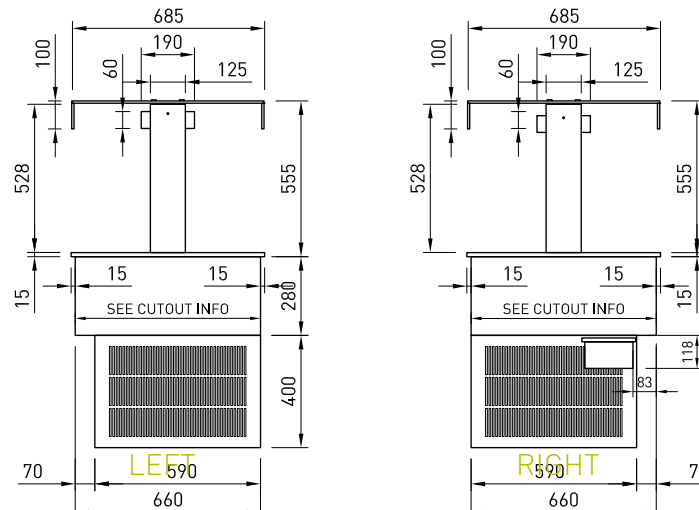
## CABINET DIMENSIONS & SPECIFICATIONS

MODEL	CABINET				BENCH TOP CUT OUT HOLE SIZE	PANS	TEMP RANGE	REFRIGERANT	FREQUENCY	POWER		CONNECTION ELECTRICAL POWER CORD 3000MM		VOLTAGE	PACKED FOR SHIPPING			
	LENGTH [MM]	DEPTH [MM]	HEIGHT [MM]	WEIGHT [KG]						65MM	DEG C	KW 230V	AMPS		NZ 10 AMP	UK 13 AMP	DEPTH [MM]	HEIGHT [MM]
LSRF2-FT	805	690	555	105	785x670	2 x 1/1 65mm Gastro Pan	3-8	R290	50 HZ	0.92	4.8	3 PIN PLUG	3 PIN PLUG	220-240V	910	770	1060	108
LSRF3-FT	1145	690	555	128	1125x670	3 x 1/1 65mm Gastro Pans	3-8	R290	50 HZ	0.92	4.5	3 PIN PLUG	3 PIN PLUG	220-240V	1250	770	1060	134
LSRF4-FT	1485	690	555	152	1465x670	4 x 1/1 65mm Gastro Pans	3-8	R290	50 HZ	0.92	4.5	3 PIN PLUG	3 PIN PLUG	220-240V	1590	770	1060	160
LSRF5-FT	1825	690	555	179	1805x670	5 x 1/1 65mm Gastro Pans	3-8	R290	50 HZ	0.92	4.8	3 PIN PLUG	3 PIN PLUG	220-240V	1930	770	1060	180
LSRF6-FT	2165	690	555	201	2145x670	6 x 1/1 65mm Gastro Pans	3-8	R290	50 HZ	1.15	5.5	3 PIN PLUG	3 PIN PLUG	220-240V	2270	770	1060	204

### PRODUCT FEATURES

- Deck forced refrigeration
- Canopy LED light
- Integral condenser
- Self evaporating
- 65mm deep full size pan supplied
- Foam insulated double skin base

### LSRF-FT SIDE ELEVATIONS



### GASTRO PANS

Units supplied with 1/1 pans at 65mm deep, max pan depth is 100mm

### ELECTRICAL POWER

Electrical power cord 2200mm  
3 pin 10 amp 1 phase socket required.  
Maximum ambient operation temperature climate class N max 32° C.

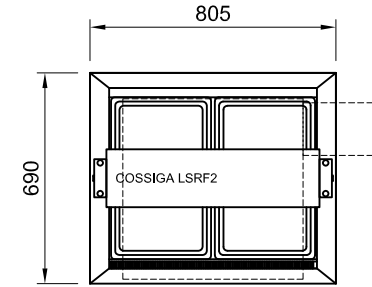
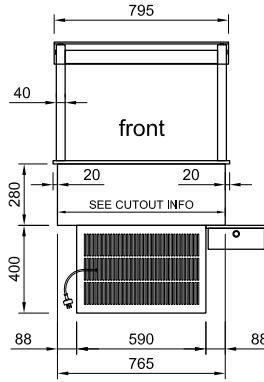
### ASSEMBLY REQUIRED

Prior to installation see, installation guidelines, ventilation requirements and drainage options documents

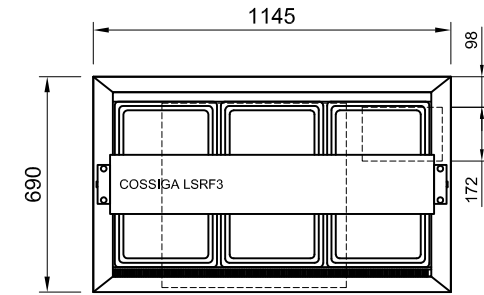
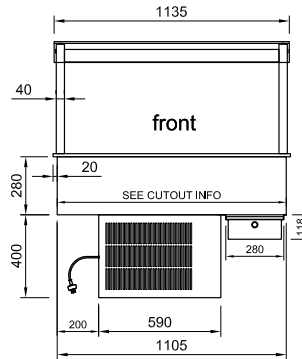
# LSRF-FT LINEAR SERIES - CHILLED WELL - Flat Top Sneeze Guard

COSSIGA

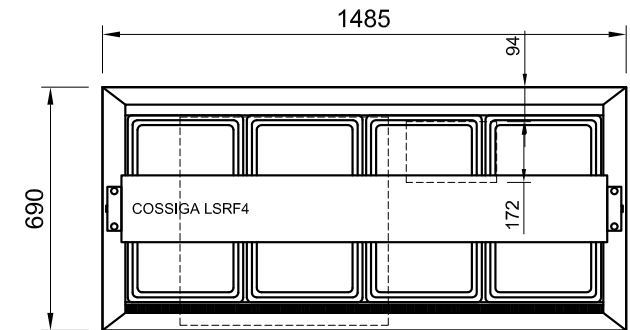
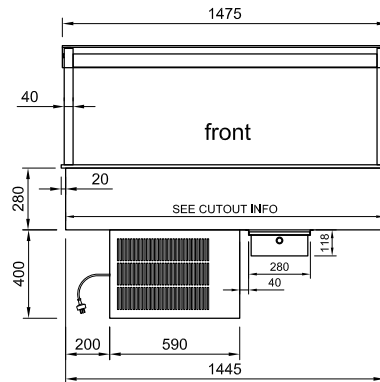
LSRF2-FT



LSRF3-FT



LSRF4-FT



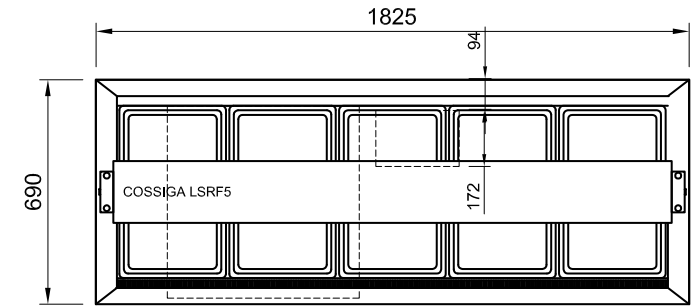
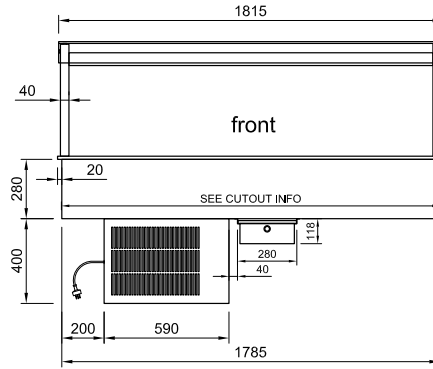
ASSEMBLY REQUIRED



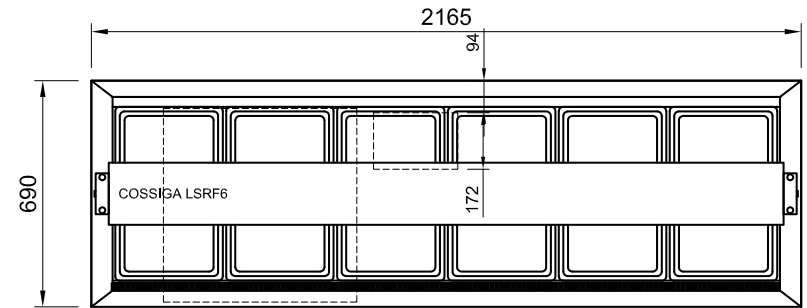
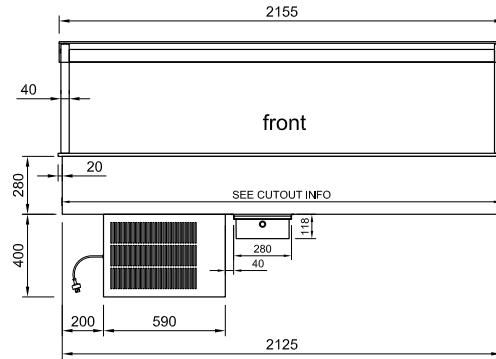
# LSRF-FT LINEAR SERIES - CHILLED WELL - Flat Top Sneeze Guard

COSSIGA

LSRF5-FT



LSRF6-FT



ASSEMBLY REQUIRED

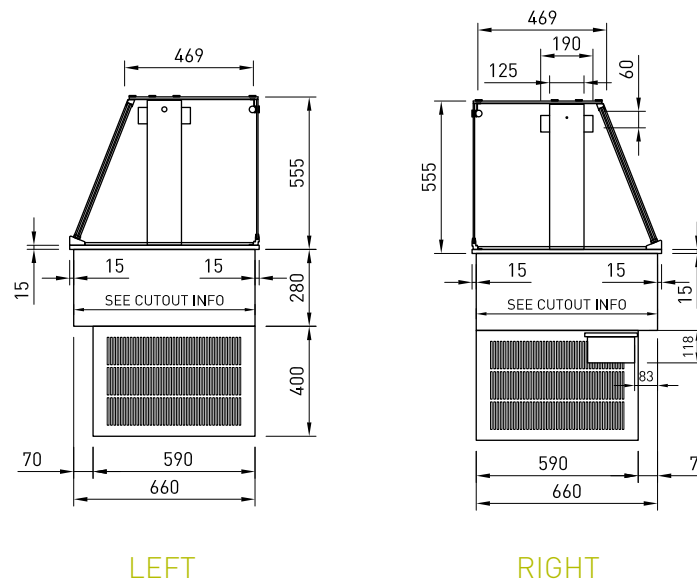
## CABINET DIMENSIONS & SPECIFICATIONS

MODEL	CABINET				BENCH TOP CUT OUT HOLE SIZE	PANS	TEMP RANGE	REFRIGERANT	FREQUENCY	POWER		CONNECTION ELECTRICAL POWER CORD 3000MM		VOLTAGE	PACKED FOR SHIPPING			
	LENGTH [MM]	DEPTH [MM]	HEIGHT [MM]	WEIGHT [KG]						65MM	DEG C	KW 230V	AMPS		NZ 10 AMP	UK 13 AMP	DEPTH [MM]	HEIGHT [MM]
LSRF2-FS	805	690	555	105	785x670	2 x 1/1 65mm Gastro Pan	3-8	R290	50 HZ	0.92	4.8	3 PIN PLUG	3 PIN PLUG	220-240V	910	770	1060	108
LSRF3-FS	1145	690	555	128	1125x670	3 x 1/1 65mm Gastro Pans	3-8	R290	50 HZ	0.92	4.5	3 PIN PLUG	3 PIN PLUG	220-240V	1250	770	1060	134
LSRF4-FS	1485	690	555	152	1465x670	4 x 1/1 65mm Gastro Pans	3-8	R290	50 HZ	0.92	4.5	3 PIN PLUG	3 PIN PLUG	220-240V	1590	770	1060	160
LSRF5-FS	1825	690	555	179	1805x670	5 x 1/1 65mm Gastro Pans	3-8	R290	50 HZ	0.92	4.8	3 PIN PLUG	3 PIN PLUG	220-240V	1930	770	1060	180
LSRF6-FS	2165	690	555	201	2145x670	6 x 1/1 65mm Gastro Pans	3-8	R290	50 HZ	1.15	5.5	3 PIN PLUG	3 PIN PLUG	220-240V	2270	770	1060	204

### PRODUCT FEATURES

- Deck forced refrigeration
- Canopy LED light
- Integral condenser
- Self evaporating
- 65mm deep full size pan supplied
- Foam insulated double skin base

### LSRF-FS SIDE ELEVATIONS



### GASTRO PANS

Units supplied with 1/1 pans at 65mm deep, max pan depth is 100mm

### ELECTRICAL POWER

Electrical power cord 2200mm  
 3 pin 10 amp 1 phase socket required.  
 Maximum ambient operation temperature climate class N max 32° C.

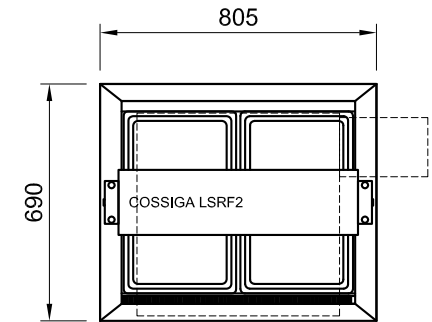
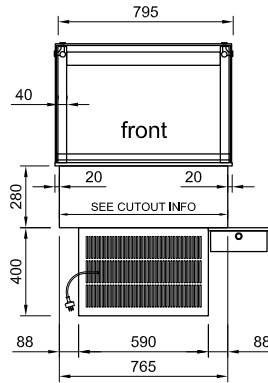
### ASSEMBLY REQUIRED

Prior to installation see, installation guidelines, ventilation requirements and drainage options documents

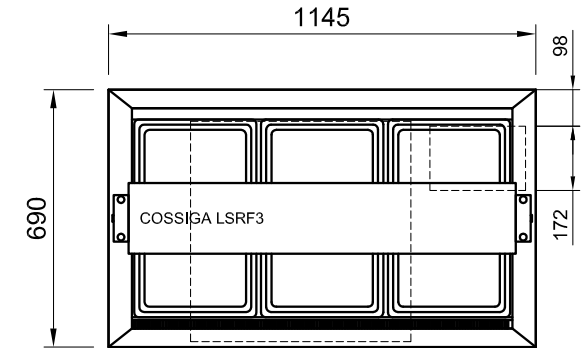
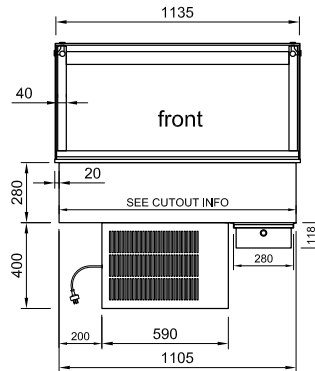
# LSRF-FS LINEAR SERIES - CHILLED WELL - Full Square Glass Gantry

# COSSIGA

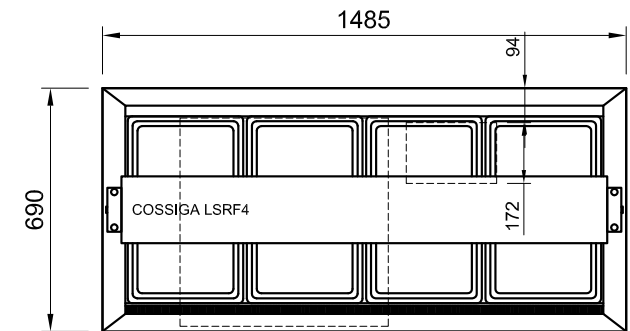
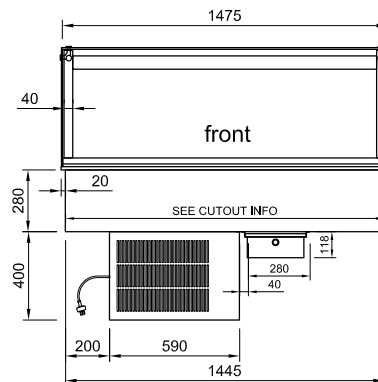
### LSRF2-FS



### LSRF3-FS

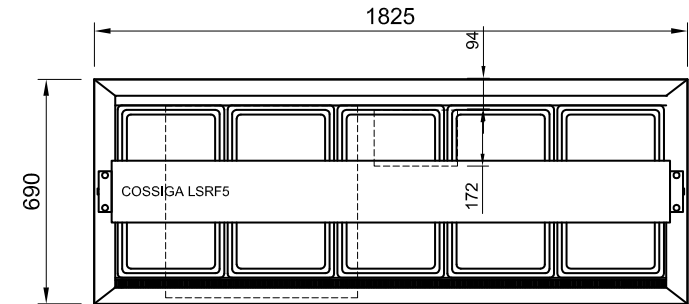
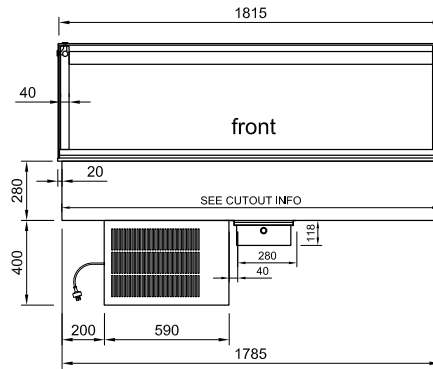


### LSRF4-FS

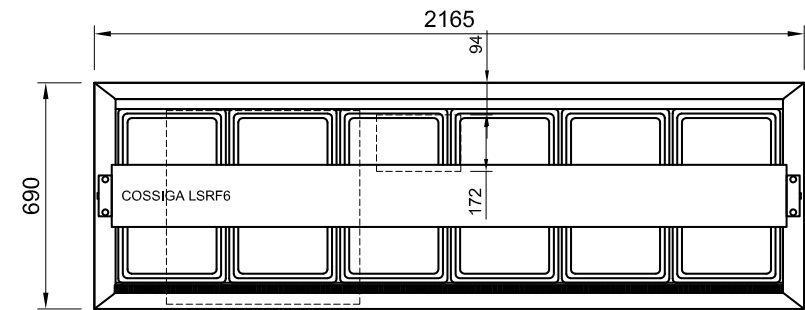
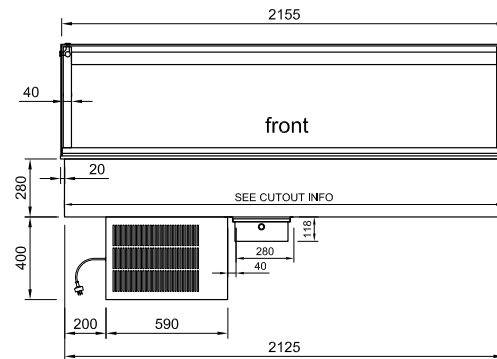


**ASSEMBLY REQUIRED**

### LSRF5-FS



### LSRF6-FS



ASSEMBLY REQUIRED