

BTG HT

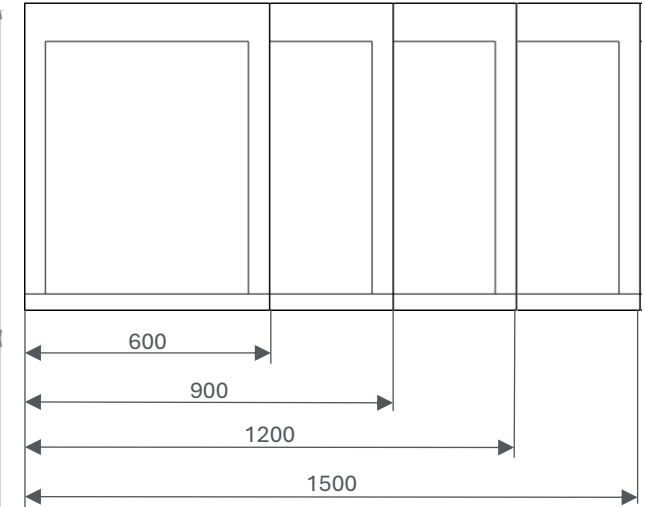
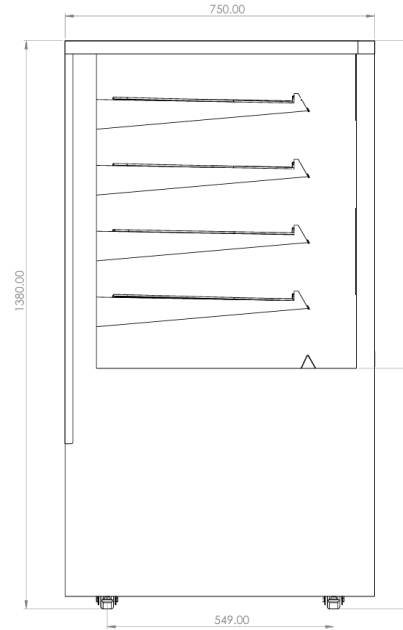
COSSIGA



HT

BTGHT6
BTGHT9
BTGHT12
BTGHT15

- Deck forced heating
- Single glazed
- Sliding rear doors (HT6 Hinged)
- Solid front or sliding front doors
- Solid front that hinges at base
- Four adjustable shelves – flat or angled
- Ticket strips on shelves and base
- Under shelf and canopy LED lights



MODEL	CABINET			SHELVING	OPERATING TEMP	SHELF W X D	BASE TRAY W X D	TOTAL FOOD 100MM UNITS	DISPLAY M ²	FREQUENCY Hz	POWER		CONNECTION POWER CORD 2200MM		VOLTAGE	PACKED FOR SHIPPING			
	LENGTH (MM)	DEPTH (MM)	HEIGHT (MM)								WEIGHT KG	DEG C	KW 230V	AMP		NZ/AUS	UK 13 AMP	LENGTH (MM)	DEPTH (MM)
BTGHT6 BTGHT6-SD	600	750	1380	118	4 + BASE	75-85	490 X 445 540 X 510	100	1.14	50/60	1.24	5.4	3 PIN PLUG 10 AMP	3 PIN PLUG	220-240	700	830	1550	121
BTGHT9 BTGHT9-SD	900	750	1380	150	4 + BASE	75-85	790 X 445 840 X 510	168	1.83	50/60	1.70	7.4	3 PIN PLUG 10 AMP	3 PIN PLUG	220-240	1000	830	1550	155
BTGHT12 BTGHT12-SD	1200	750	1380	182	4 + BASE	75-85	1090 X 445 1140 X 510	255	2.52	50/60	2.20	9.6	3 PIN PLUG 15 AMP	3 PIN PLUG	220-240	1300	830	1550	185
BTGHT15 BTGHT15-SD	1500	750	1380	214	4 + BASE	75-85	1390 X 445 1440 X 510	355	3.20	50/60	2.66	11.6	3 PIN PLUG 15 AMP	3 PIN PLUG	220-240	1600	830	1550	222

ROLLED INTO A BENCH



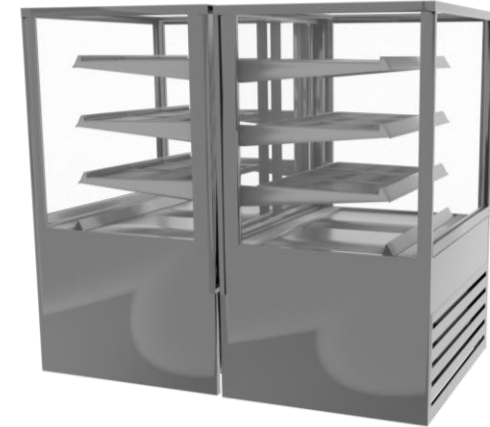
Cabinets can be rolled into or up against a bench

SIDE BY SIDE



Cabinets can be placed side by side without the need for a gap between

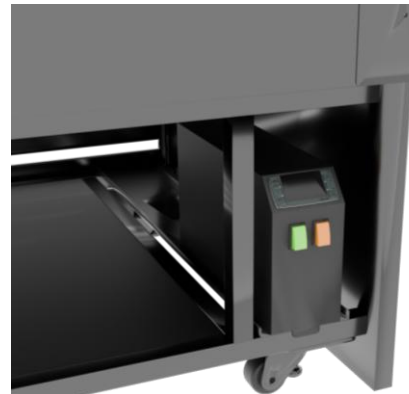
BACK TO BACK



Both controller boxes have been moved to the front

CONTROLLER BOX MOVEMENT

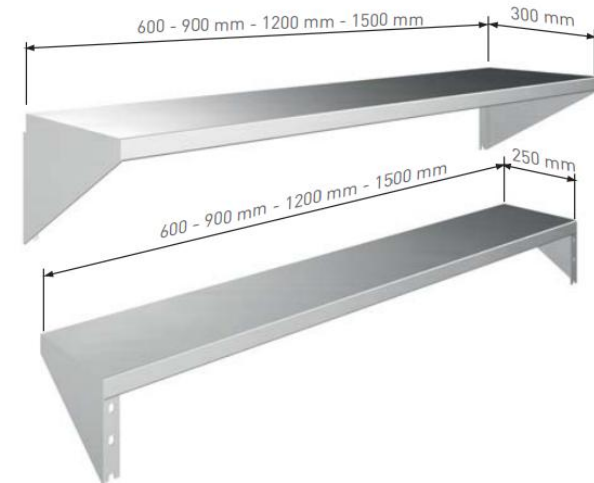
The controller box can be swapped to face the rear or front based on the placement of the cabinet. Standard configuration has the controller box facing the rear. If there is no access to the rear, the controller box can be lifted at an angle off the tray and moved to face the front





FRONT AND REAR TRAY RACES

Stainless steel
Sold individually



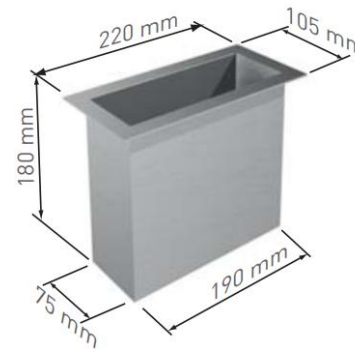
CASTOR EXTENSION KIT

Increases cabinet height to 1660mm

Set of four, uses existing castors, includes fixing bolts and washers and 2x facia mounting plates



BAG HOLDER



TONG HOLDER



GASTRONORM PAN KIT

Allows you to merchandise multiple hot food choices in one cabinet

Expand the use of your heated cabinet with this Gastronorm Pan Kit with an angled frame that accepts ½ Gastro pan 65mm deep (supplied)

Holds fried foods and bulky products like chicken, lasagne, toppers, roast potatoes, etc

Remove bottom shelf for optimum viewing

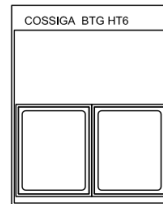


Stainless steel construction
Angled display view

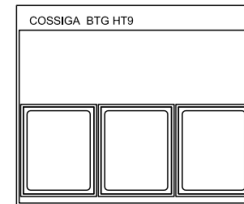


1 Rack + ½ Pan

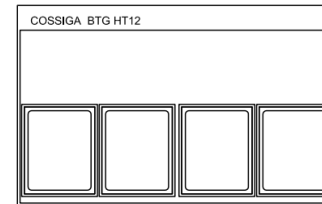
One rack with half size pan



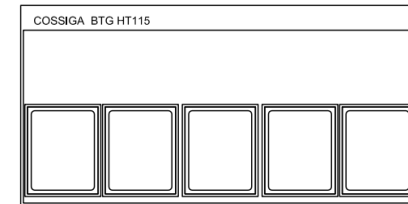
HT6 - 2 Pans



HT9 - 3 Pans



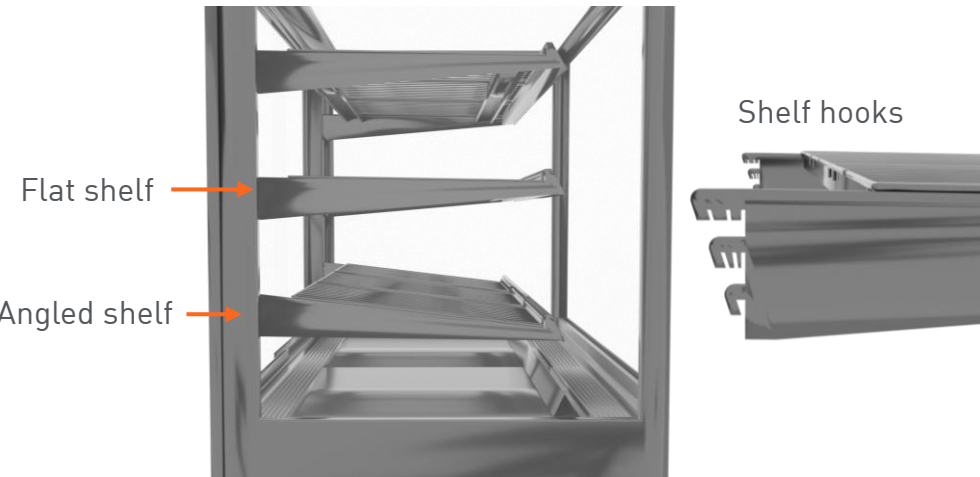
HT12 - 4 Pans



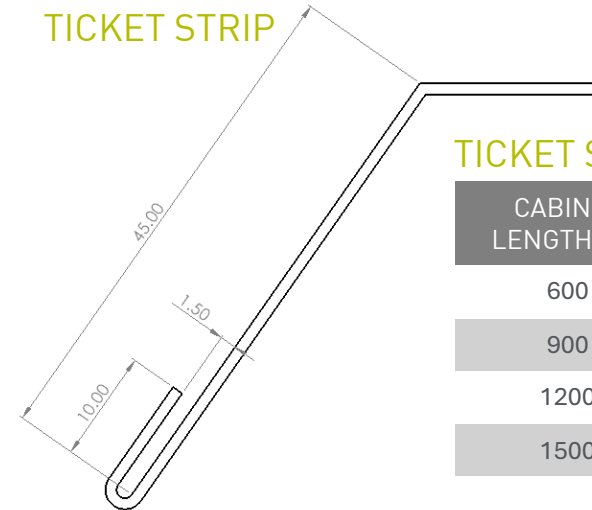
HT15 - 5 Pans

GLASS FLAT OR ANGLED

The shelves can be lifted and pulled out until they lock into their second or third slots, resulting in angled shelves



TICKET STRIP



TICKET STRIP LENGTHS

CABINET LENGTH MM	TICKET STRIP LENGTH MM
600	490
900	790
1200	1090
1500	1390

REAR ACCESS SHELF

Next to the controller box is a shelf which can be used for storing gastronorm pans, food packaging, etc

