

# DTG OR6 OPEN FRONT MULTIDECK

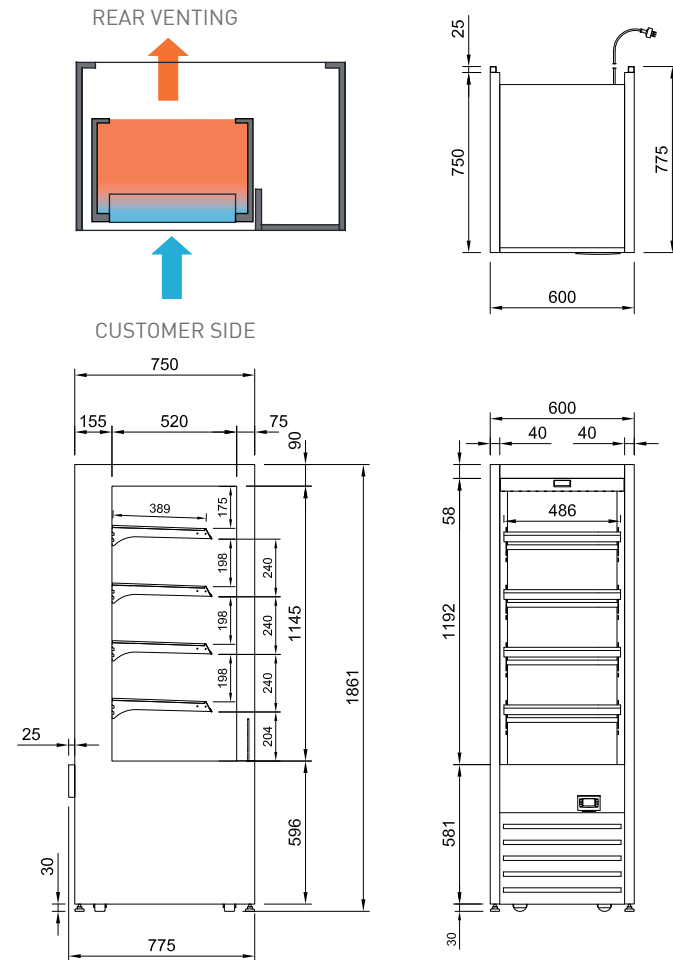
COSSIGA



- Stainless steel construction
- Four adjustable shelves
- Ticket strips on shelves
- Shelf mounted air curtains
- Under shelf and canopy LED lights
- Pull down night blind
- Forced air circulation
- Integral condenser
- Removable front grille panel
- Roll in on castors
- Climate class M1
- Reversible hinged front door - **optional**



Shown with optional frame less hinged acrylic front door  
sold as accessory kit



## Drainage System Options

- Pump to waste
- Electronic evaporator pan

## CABINET DIMENSIONS & SPECIFICATIONS

Prior to installation see, installation guidelines, ventilation requirements and drainage options documents

MODEL	CABINET				SHELVING	OPERATING TEMP	SHELF	BASE TRAY	DISPLAY	REFRIGERANT	FREQUENCY	OPERATING CURRENT	POWER	CONNECTION ELECTRICAL POWER CORD 2200MM		VOLTAGE	PACKED FOR SHIPPING			
	LENGTH [MM]	DEPTH [MM]	HEIGHT [MM]	WEIGHT [KG]										DEG C	W X D		W X D	M <sup>2</sup>	TEMP CLASS M1	Hz
DTGOR6	600	775	1860	170	4 + BASE	-1 +5	486 X 386	520 x 453	0.98	R290	50/60 HZ	5.5	1.04	3 PIN PLUG	3 PIN PLUG	220-240V	700	830	2030	180

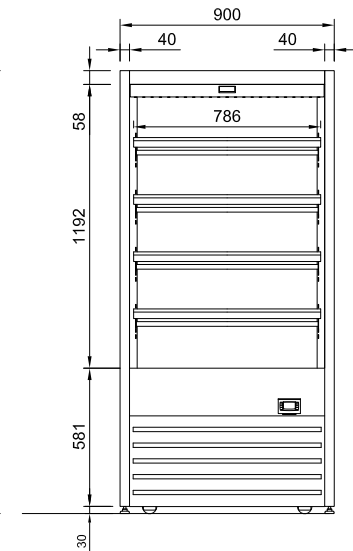
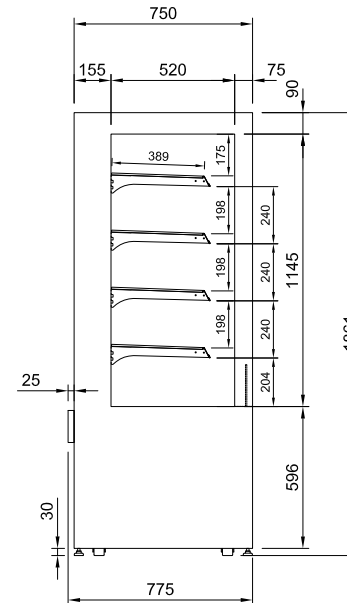
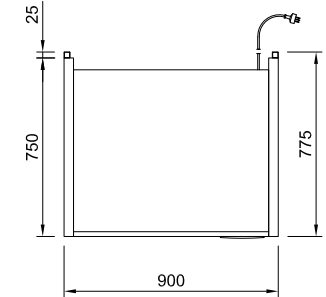
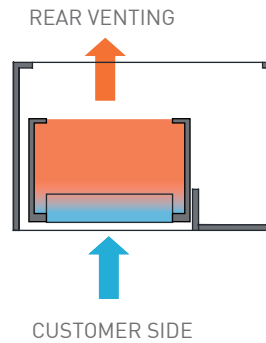
Maximum shelf load weight 15kg spread evenly



- Stainless steel construction
- Four adjustable shelves
- Ticket strips on shelves
- Shelf mounted air curtains
- Under shelf and canopy LED lights
- Pull down night blind
- Forced air circulation
- Integral condenser
- Removable front grille panel
- Roll in on castors
- Climate class M1
- Hinged front doors - **optional**



Shown with optional frame less hinged acrylic front doors  
sold as accessory kit



## Drainage System Options

- Pump to waste
- Electronic evaporator pan

## CABINET DIMENSIONS & SPECIFICATIONS

Prior to installation see, installation guidelines, ventilation requirements and drainage options documents

MODEL	CABINET				SHELVING	OPERATING TEMP	SHELF	BASE TRAY	DISPLAY	REFRIGERANT	FREQUENCY	OPERATING CURRENT	POWER	CONNECTION ELECTRICAL POWER CORD 2200MM		VOLTAGE	PACKED FOR SHIPPING			
	LENGTH [MM]	DEPTH [MM]	HEIGHT [MM]	WEIGHT [KG]										DEG C	W X D		W X D	M <sup>2</sup>	TEMP CLASS M1	Hz
DTGOR9	900	775	1860	209	4 + BASE	-1 +5	786 X 386	820x 453	1.63	R290	50/60 HZ	5.8	1.21	3 PIN PLUG	3 PIN PLUG	220-240V	1000	830	2030	219

Maximum shelf load weight 15kg spread evenly

# DTG OR12 OPEN FRONT MULTIDECK

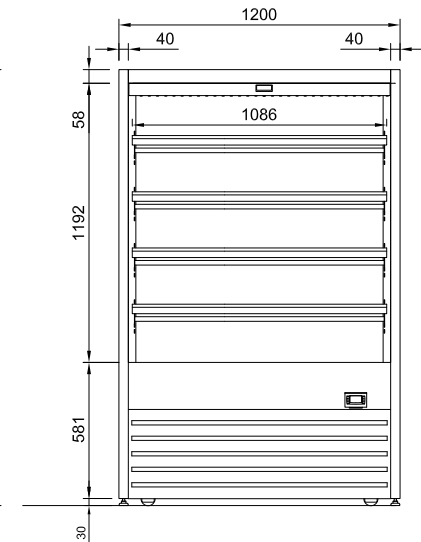
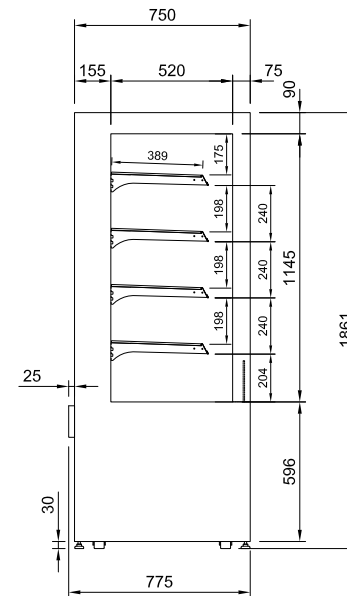
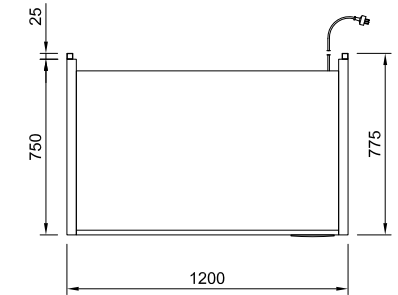
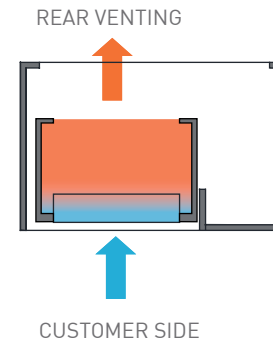
COSSIGA



- Stainless steel construction
- Four adjustable shelves
- Ticket strips on shelves
- Shelf mounted air curtains
- Under shelf and canopy LED lights
- Pull down night blind
- Forced air circulation
- Integral condenser
- Removable front grille panel
- Roll in on castors
- Climate class M1
- Hinged front doors - **optional**



Shown with optional frame less hinged acrylic front doors  
sold as accessory kit



## Drainage System Options

- Pump to waste
- Electronic evaporator pan

## CABINET DIMENSIONS & SPECIFICATIONS

Prior to installation see, installation guidelines, ventilation requirements and drainage options documents

MODEL	CABINET				SHELVING	OPERATING TEMP	SHELF	BASE TRAY	DISPLAY	REFRIGERANT	FREQUENCY	OPERATING CURRENT	POWER	CONNECTION ELECTRICAL POWER CORD 2200MM		VOLTAGE	PACKED FOR SHIPPING			
	LENGTH [MM]	DEPTH [MM]	HEIGHT [MM]	WEIGHT [KG]										DEG C	W X D		W X D	M <sup>2</sup>	TEMP CLASS M1	Hz
DTGOR12	1200	775	1860	282	4 + BASE	-1 +5	1086 X 386	1120 x 453	2.18	R290	50/60 HZ	7.0	1.46	3 PIN PLUG	3 PIN PLUG	220-240V	1300	830	2030	292

Maximum shelf load weight 15kg spread evenly

# DTG OR15 OPEN FRONT MULTIDECK

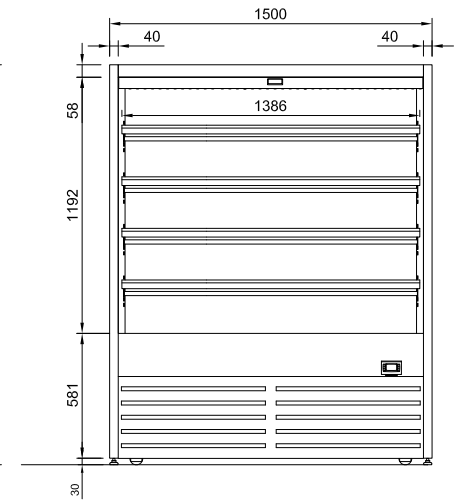
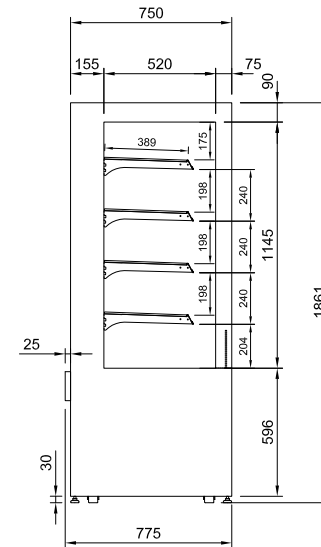
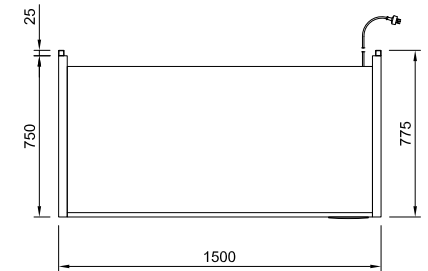
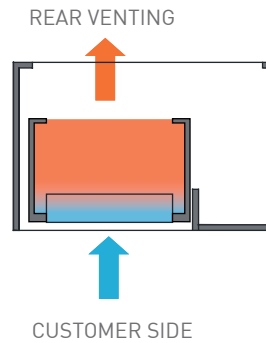
COSSIGA



- Stainless steel construction
- Four adjustable shelves
- Ticket strips on shelves
- Shelf mounted air curtains
- Under shelf and canopy LED lights
- Pull down night blind
- Forced air circulation
- Integral condenser
- Removable front grille panel
- Roll in on castors
- Climate class M1
- Hinged front doors - **optional**



Shown with optional frame less hinged acrylic front doors  
sold as accessory kit



## Drainage System Options

- Pump to waste
- Electronic evaporator pan

## CABINET DIMENSIONS & SPECIFICATIONS

Prior to installation see, installation guidelines, ventilation requirements and drainage options documents

MODEL	CABINET				SHELVING	OPERATING TEMP	SHELF	BASE TRAY	DISPLAY	REFRIGERANT	FREQUENCY	OPERATING CURRENT	POWER	CONNECTION ELECTRICAL POWER CORD 2200MM		VOLTAGE	PACKED FOR SHIPPING			
	LENGTH [MM]	DEPTH [MM]	HEIGHT [MM]	WEIGHT [KG]										DEG C	W X D		W X D	M <sup>2</sup>	TEMP CLASS M1	Hz
DTGOR15	1500	775	1860	298	4 + BASE	-1 +5	1386 X 386	1420 x 453	2.78	R290	50/60 HZ	11	15.3	15 AMP 3 PIN PLUG	3 PIN PLUG	220-240V	1600	830	2030	298

Maximum shelf load weight 15kg spread evenly